

PULLMAN-HOLT

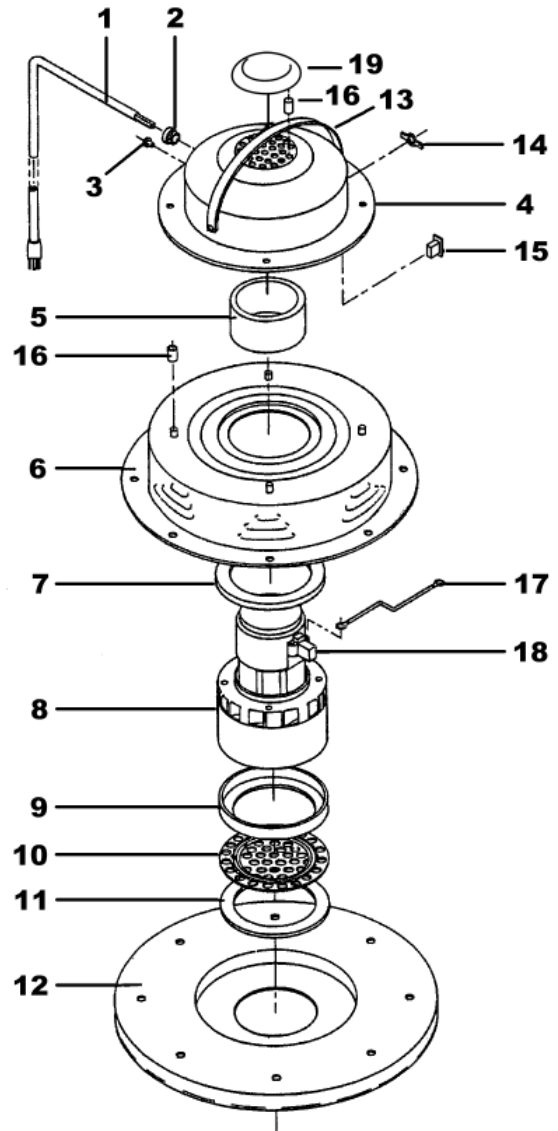
REPLACEMENT PARTS LIST

Save for future reference

102 Wet/Dry 12 Gallon SS

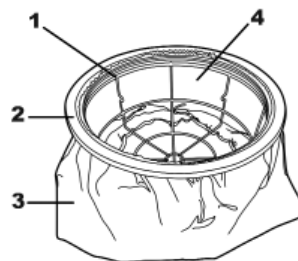
Motorhead Assembly

Ref.	Part No.	Description	Qty
1	B701062	Cord Set	1
2	B701063	Strain Relief	1
3	B910014	Ground Screw	1
4	B522099	Dome	1
5	B521533	Gasket	1
6	B527458	Blower Chamber Assembly	1
7	B911083	Gasket	1
8A	B527297	Motor 115V	1
8B	B701293	Motor 230V	1
9	B910091	Gasket	1
10	B913397	Screen Fan Guard	1
11	B911803	Gasket	1
12	B600257	Can Cap	1
13	B911974	Handle	1
14	B910008	Switch Plate	1
15	B701061	Rocker Switch	1
16	B910055	Spacer	7
17	B910004	Wire Assembly	1
18	B700628	Brush Mechanism	2
19	B600404	Splash Guard	1
20	B524231	Spacer Nuts	7
	B160244	Complete Head Assembly	1



Modular Filter Assembly

Ref.	Part No.	Description	Qty
1	B000403	Filter Frame	1
2	B000404	16" Airseal Gasket	1
3	B000407	Never Clog Filter 16" Diameter	1
4	B000402	Moleskin Filter 16" Diameter	1



Wet Pan 16" Diameter
B260200



VACMOBILE ASSEMBLY

Ref.	Part No.	Description	Qty	Ref.	Part No.	Description	Qty
1	B520353	Plug Finish	2	9	B910067	Handle Clamp	2
2	B600787	Chassis	2	10	B910070	Handle	1
3	B910073	Hubcap	4	11	B521454	Can Clamp w/Blk. Poly Tip	3
4	B703544	Tire/Wheel	2	12	B260607	SS Inlet/Scoop Assembly	1
5	B980556	Washer	2	13	B910518	Caster	2
6	B703549	Hub Cap Cover	2	14	B520549	12 Gal. SS Can Assembly	1
7	B910071	Screw	2				
8	B910263	Pop Rivet	4				

